



Value • Performance • Quality

STOCK POT RANGES

Standard Features

- Stainless steel front, cabinet and bottom
- Three-ring burner with two adjustable gas valves provides flexibility and maximum 90,000 BTU/hr; or with three adjustable valves for 105,000 BTU/hr
- Burner is equipped with two continuous pilots for instant ignition
- Roll front is easy to load and gradual slope design reduces spill over
- Heavy-duty cast iron top grate removes easily for cleaning
- Durable stainless steel cabinet base provides additional storage
- Chrome plated 6" legs with adjustable feet for regular models; Wok ranges have chrome plated 10" legs with adjustable feed

Options & Accessories

- 18" Height available
- Quick disconnect and flexible gas hose
- Wok attachment
- 3 Valves / 3 Ring Burner
- Heavy-duty jet burner with one adjustable valve for 125,000 BTU/hr

Applications

Soups; Sauces; Stocks; Pasta; Schools; Contract Feeders;

Certifications



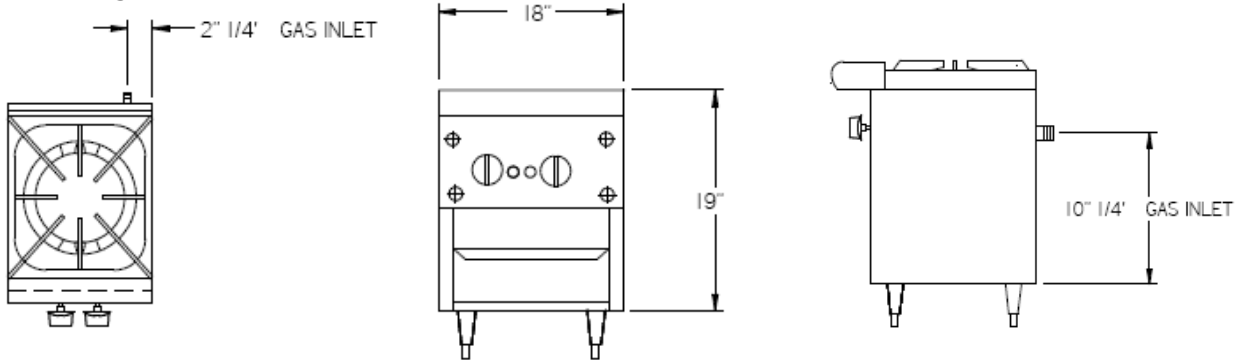
TSSP-18-3

Stockpot Ranges feature stainless steel front, sides & cabinet base, durable, cool to the touch knobs, heavy-duty top grates with full drip pans, 90,000-210,000 BTU burners and heavy-duty castings, with sloping design to remove spills .

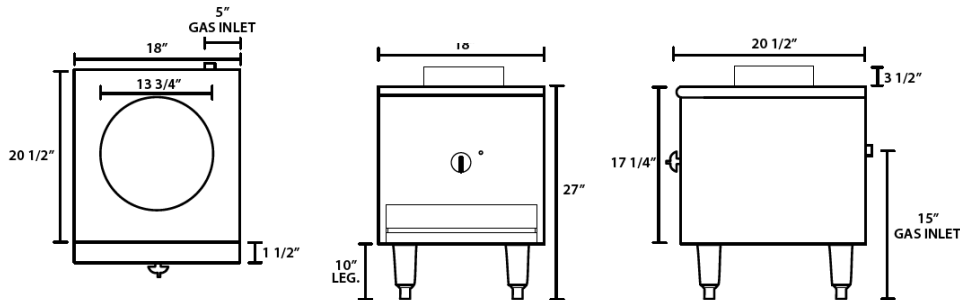
Wok Range has a durable cool to the touch knob and a powerful 125,000 BTU jet burner. Equipped with a heavy-duty wok attachment with rolled front edge to prevent spills

STOCK POT RANGES

Stock Pot Range



Wok Range



PRODUCT SPECIFICATIONS

Clearance: For use only on non-combustible surfaces. Legs or stands are required for non-combustible floors; or 2 over-hang is required when curb mounted. Provide 0" clearance from non-combustible surfaces and 4" from back, 10" from sides from combustible surfaces.

Gas Information: Manifold pressure is 5.0"W.C. or natural gas or 10.0" for propane gas. Manifold size is 3/4" NPT. 3/4" pressure regulator supplied with equipment to be installed at time of connection. Must specify type of gas and elevation if over 2000 ft. when ordering.

Model#	Width	Depth	Height	Burners	BTU	Lbs
TSSP-18-2	18"	21"	24"	3 ring, 2 valves	90,000	130
TSSP-18-3	18"	21"	24"	2 ring, 3 valves	105,000	135
TSSP-18-2-D	18"	42"	24"	2 units, 2 valves	180,000	255
TSSP-18-3-D	18"	42"	24"	2 units, 3 valves	210,000	260
TSSP-36-2-D	36"	21"	24"	2 units, 2 valves	180,000	255
TSSP-36-3-D	36"	21"	24"	2 units, 3 valves	210,000	265
TSSP-18J-13	18"	20 1/2"	30"	18" orifice jet, 13" wok ring	125,000	135
TSSP-18J-16	18"	20 1/2"	30"	18" orifice jet, 16" wok ring	125,000	135

Freight Class: 85