

COUNTER TOP ELECTRIC OVEN

■ Model PX-16

Standard Features

- PX-16 at 1800 watts
- 284°-680°F Temperature range (140°-360°C)
- Electric 15-Minute timer with continuous ring alarm and manual shut-off
- Independent, operator controlled top and bottom heat
- 3" (76mm) Deck height
- Slide-out, heavy gauge, nickel-chrome plated wire baking rack with handle
- Pull out steel crumb tray
- All stainless steel exterior
- Black phenolic legs
- Unitized, welded, aluminized steel interior
- Fully insulated
- 6' (1830mm) Cord & plug
- Limited 1-Year parts and labor warranty

Model PX-16

Specifications

The PX Series all purpose electric counter top ovens are designed for baking, warming and finishing and are ideal for applications ranging from par baked products to sushi.

Standard features include an all stainless steel exterior, slide-out, nickel-chrome plated wire baking rack with heat resistant handle, pull-out steel crumb tray and 3" (76mm) deck height.

Controls feature independently, operator controlled top and bottom heat for perfectly balanced baking results, a 284°F – 680°F (140°C – 360°C) and a 15 minute electric timer with continuous ring alarm and manual shut-off.

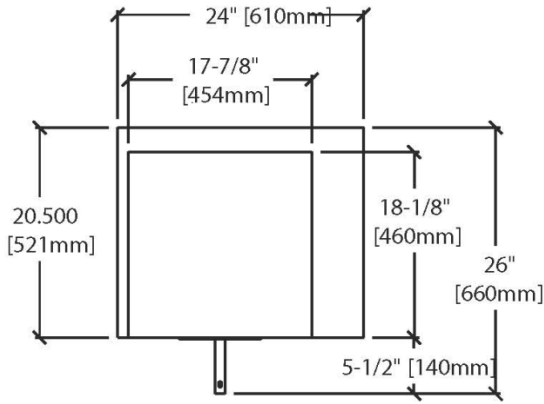
The exterior is fabricated of heavy gauge type 430 stainless steel with a #4 finish. Legs are black phenolic.

The interiors are constructed of heat tolerant aluminized steel, welded to form a single unitized body. The entire oven is insulated with 1" (25.4mm) thick industrial grade felt. The PX-16 baking rack measures 17 5/8" (448mm) by 17 7/8" (454mm) deep.

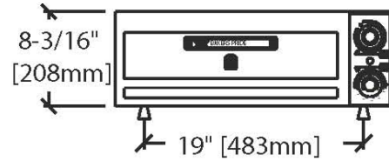
Two independently controlled incloy-heating elements provide top and bottom heat with up to 1800 watts. Available in 120v or 208-204v, single phase 6' Cord and plug provided in standard voltages. International voltages available. Ovens are stackable. 1-Year limited parts and labor warranty included.



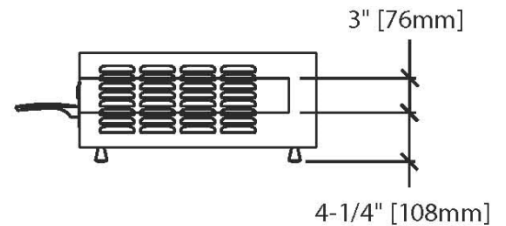
COUNTER TOP ELECTRIC OVEN



TOP VIEW PX-16



FRONT VIEW PX-16



RH SIDE VIEW PX-16

ALL DIMENSIONS NOMINAL

SHIPPING INFORMATION

Model	Shipping Weight		Carton Dimensions				Grate Size	
	Lbs.	Kilos	Width Inches mm	Depth Inches mm	Height Inches mm	Cubic Feet	Cubic Meter	
PX-16	69	31	30 762	26 660	12 305	5.4	.16	

Under 500 lbs = Shipping Class # 70

POWER SUPPLY

Model	WATTS	VOLTAGE	PHASE	AMPS	Plug #		
					USA	Canada	Europe
PX-16	1800	120	1	15.0	5-20P	5-20P	—
	1800	208-240	1	8.7	6-15P	6-15P	BS1363A CEE7-VII

Each oven requires a separate electrical connection — 3 Phase and Export Voltages No Line Cord

SPECIFICATIONS

Model	Rack Size		# Decks	# Cook Chambers	Overall Dimensions			
	Inches	mm			Width Inches mm	Depth* Inches mm	Height* Inches mm	
PX-16	17 5/8	17 5/8	1	1	24 610	20 1/2 521	9 7/8 251	

MINIMUM CLEARANCES

	Non-Combustible Construction*		Combustible Construction**	
	Inches	mm	Inches	mm
Left Side	3	76	3	76
Right Side	3	76	3	76
Rear	3	76	3	76

* In European Community Countries and North America. In NON-COMBUSTIBLE locations only.
** In European Community Countries only in COMBUSTIBLE locations. NOT for North America.



5-15P



6-15P



5-20P



BS 1363 A



CEE 7-VII