

PRODUCT

QUANTITY:

ITEM #

MODELS: AT Express (120V)

AT Express

- The AT Express™ generates over 300 slices of toast per hour.
- Designed to fit into tight space areas on counters.
- Toasters have extended super feeder and warming area to allow for high volume productions.
- Unique warming area keeps toast at the perfect temperature until you are ready to serve.
- A variable speed control for the conveyor produces optimum results in toaster color and texture.
- Ability to turn off either the top or bottom element for one-sided toasting.
- Able to handle a variety of breads, bagels or muffins.
- Protects your employees with “Cool Touch” exteriors...both sides and top surfaces.
- Conveyors and crumb trays are easily accessible and simple to clean.
- Removable side panel allows easy access for service.
- AT Express air circulation system keeps cooling air circulating in toaster even after the power switch is turned off protecting components and exteriors from excessive residual heat.



Construction

- Stainless steel construction for durability.
- Metal sheathed heating elements offer enhanced durability.
- High temperature insulated wire is used for long life.
- High temperature bearing never require lubrication

Design Features

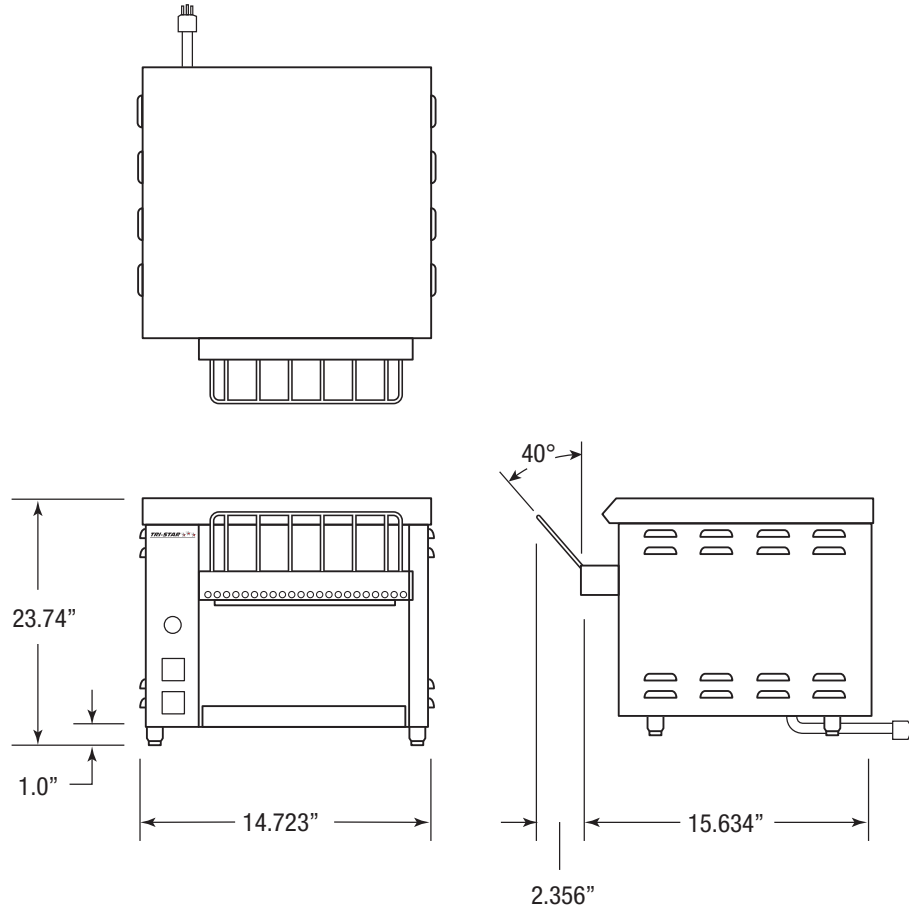
- All Stainless steel construction.
- Small footprint fits into tight counter space.
- 120V/60Hz equipment with high output.
- Insulated and air cooled
- Self-dispensing bread drawer slides forward for removal of product.
- Super feeder included.
- One sided toasting option.
- High temperature bearings.



PRODUCT

QUANTITY:

ITEM #

MODELS: AT Express (120V)

Specifications

Construction

Stainless steel housing and radiant reflector. Metal sheathed heating elements. Stainless steel front wire guard. High temperature insulation protects control panel and exteriors.

Dimensions (H x W x D)

13 9/32" x 14 3/4" x 18"

Product opening height is 1 1/2"

Electrical

120V, 1725W, 14.4 Amps, 60Hz

Shipping

350/500 L/E: 54 lbs. (24.5 kg)

Freight Class: 100

FOB: Arizona 85621